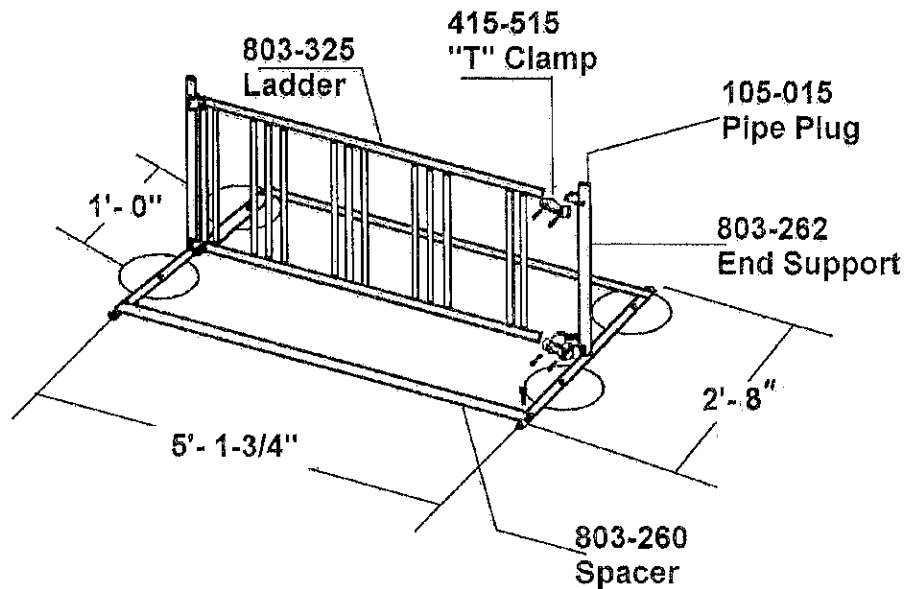


801-185 5' Double Entry Bike Rack (Perm.)

IMPORTANT

PLEASE READ THESE INSTRUCTIONS BEFORE COMMENCING ASSEMBLY. All equipment must be installed in accordance with these instructions. Check your shipment against Bill of Lading and Parts list. Any missing or broken parts must be reported to your distributor within 10 days of receipt of your order. When properly installed and maintained, equipment will give many years of Safe, Trouble-Free use. Periodically check for loose or broken parts. Loose bolts must be tightened and broken parts must be replaced as they can possibly create dangerous situations leading to unnecessary accidents. Resilient Surfacing should be used under all playground equipment. Appropriate publications, available at no charge, from the Consumer Product Safety Commission, include "A Handbook for Public Playground Safety". You can receive your free copy by calling 1-301-504-7908.



Main Frame, legs and spacers are 1 5/8" O.D. hot galvanized welded pipe with 3/4" O.D. hot galvanized ladder rungs. Spacing between tire posts is 3" center-to-center for small gap, 8 1/2" center-to-center for large gap.

PACKING LIST

HARDWARE BAG

1	CTN		Hardware Bag	4	116-514	5/16" x 3 1/2" Hex Bolt
1	BDL	2	803-260 Spacer Bar	8	116-510	5/16" x 2 1/2" Hex Bolt
1	BDL	2	803-262 End Support	12	326-501	5/16" Lock Washer
1	WF	1	803-325 Ladder	12	226-501	5/16" Lock Nut
				8	415-515	1 5/8" T-Clamp
				10	105-015	1 5/8" Pipe Plug
				4	196-644	3/8" x 8" Anchor Bolt
				4	216-601	3/8" Hex Nut
				4	226-601	3/8" Lock Nut

1 CTN	2 BDL	1 WF	4 TOTAL PCS	WT 100#	CLASS 70
-------	-------	------	-------------	---------	----------

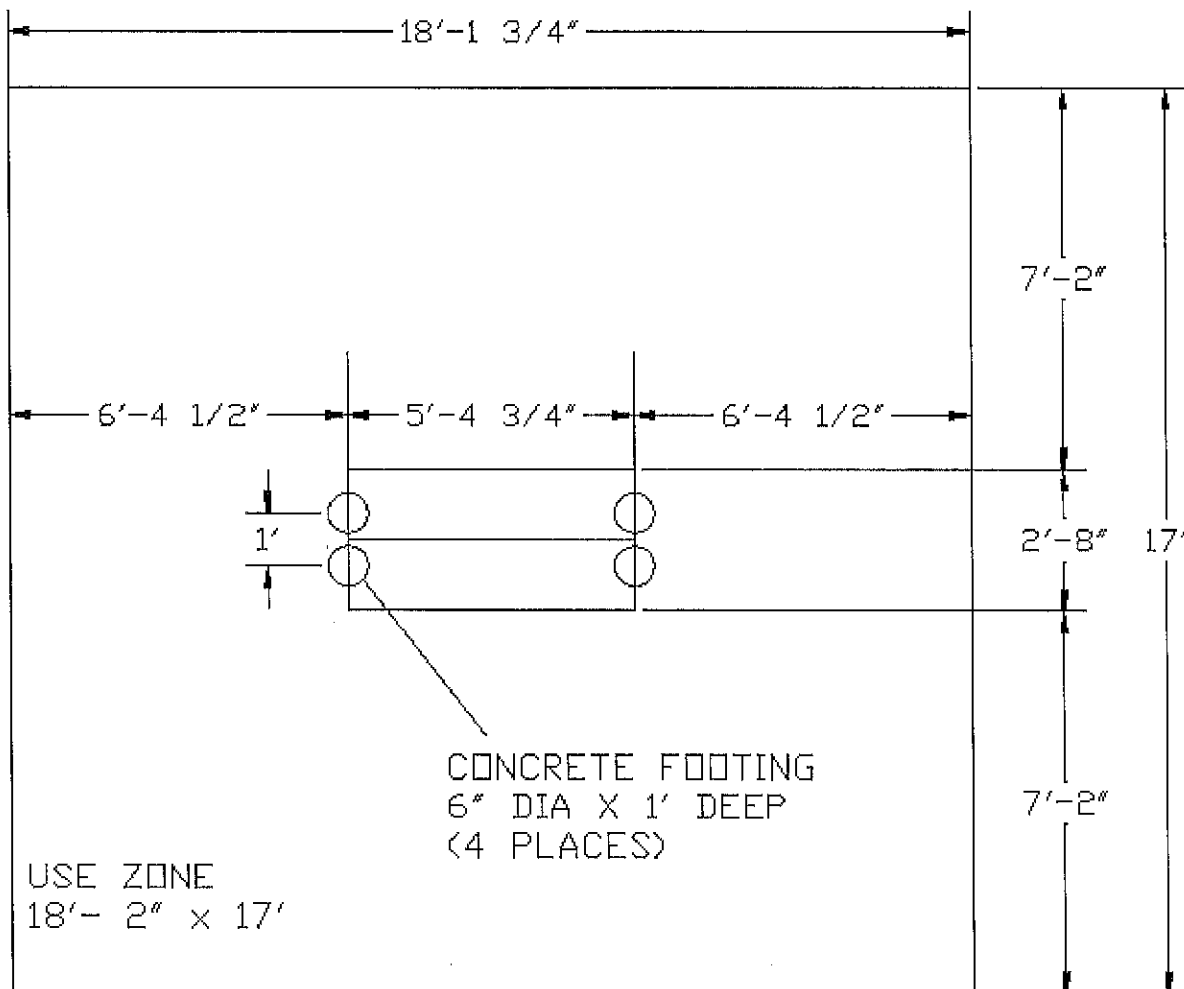
801-185 5' Double Entry Bike Rack (Perm.)

Page 2
Rev 6/11/08

GENERAL ASSEMBLY INSTRUCTIONS:

Check all the parts and hardware with the packing list too be sure you have received everything needed to assemble this product. CONTACT YOUR LOCAL DISTRIBUTOR OR SPORTSPRAY EQUIPMENT WITH NOTIFICATION OF ANY MISSING OR DAMAGED PARTS. Contact must be made within ten days of receipt of your order. Only hand-tighten nuts & bolts on initial assembly. Final tightening should be done EVENLY after final assembly when unit has been plumbed & leveled. After assembly is complete, ANY ENDS OF BOLTS PROTRUDING BEYOND NUTS SHOULD BE CUT OFF AND/OR PEENED OVER TO REMOVED ANY SHARP PROJECTIONS. Go over entire unit to file smooth any sharp edges or projections that may have been caused by rough handling in shipping or installation.

USE AREA AND FOOTING DIAGRAM:



801-185 5' Double Entry Bike Rack (Perm.)

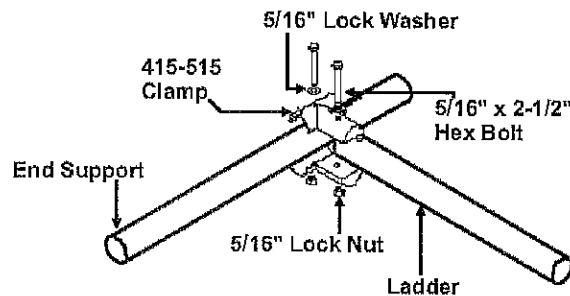
GENERAL MAINTENANCE INSTRUCTIONS:

Check MONTHLY for loose bolts, damaged or broken parts. Tighten and/or replace immediately.

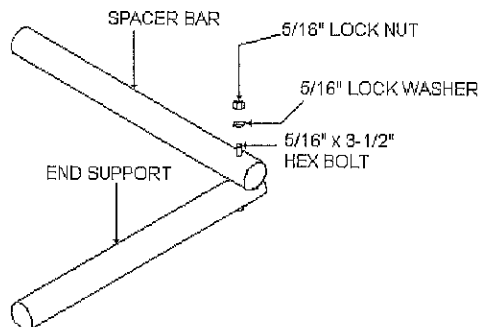
SPECIFIC ASSEMBLY INSTRUCTIONS:

- STEP #1: Completely assemble Bike Rack following drawing on page 1. Drive in pipe plugs on all open pipe ends.
- STEP #2: Position Bike Rack in proper position, mark footing holes, move Bike Rack to one side, and dig holes.
- STEP #3: Attach Anchor Bolts to end supports and place Bike Rack in position over footing holes.
- STEP #4: Pour concrete, crown surface, plumb and level. Wait 48 hours before using equipment.

T-Clamp Detail:



End Support and Spacer Bar Detail:



Anchor Bolt Detail:

